



污水处理固液分离设备

YOSUN ENVIRONMENTAL

无锡源申环保设备有限公司

Wuxi Yosun Environmental Protection Equipment Co.,Ltd.

科技改变环境 技术创造价值

产品手册

PRODUCT CATALOG



源申环保

YOSUN ENVIRONMENTAL



源申环保
YOSUN ENVIRONMENTAL

Professional supplier of solid liquid separator for waste water treatment

斜板沉淀池 Lamella Clarifier



Professional design



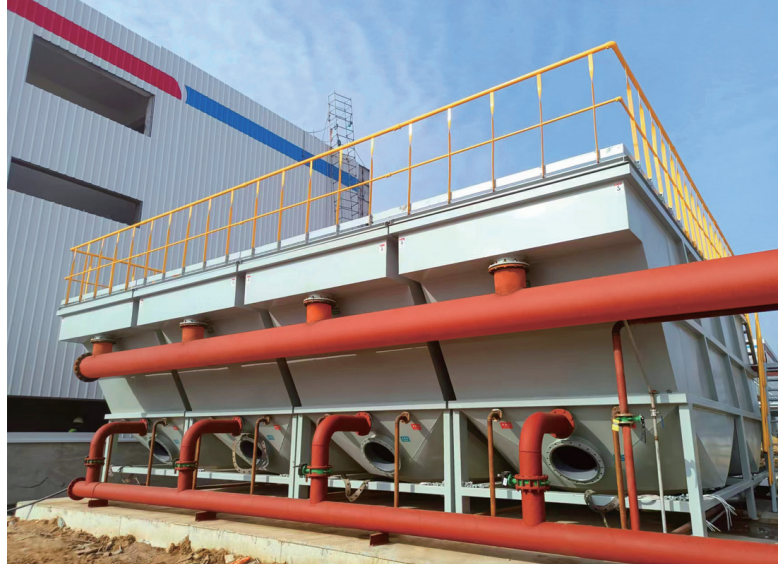
Exquisite craftsmanship



Focus on separating

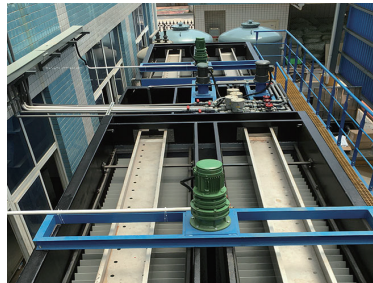
产品简介

兰美拉高效斜板沉淀池区别于常规沉淀池，以独特的布水方式和斜板结构，使沉降效率大幅提升，无论是表面负荷还是使用过程中工作强度以及使用寿命，均是普通沉淀池的几倍。兰美拉斜板沉淀池凭借其卓越性能，使得其在污水处理的固液分类段占据了一席之地。并且随着大家对设备的要求越来越高，结构空间也越来越紧凑，更多的用户选择使用兰美拉沉淀池替代常规沉淀池。



Lamella Clarifier

Lamella clarifier, different from ordinary clarifier, improves the settling area by means of its unique water distribution manner and plate structure. No matter the surface loading or the service life, both are several times that of ordinary clarifier. Lamella clarifier has made it occupy a place in the solid-liquid classification section of sewage treatment with its excellent performance and is chosen by amount of users instead of ordinary clarifier because of its high efficiency and compact structure.





Professional design



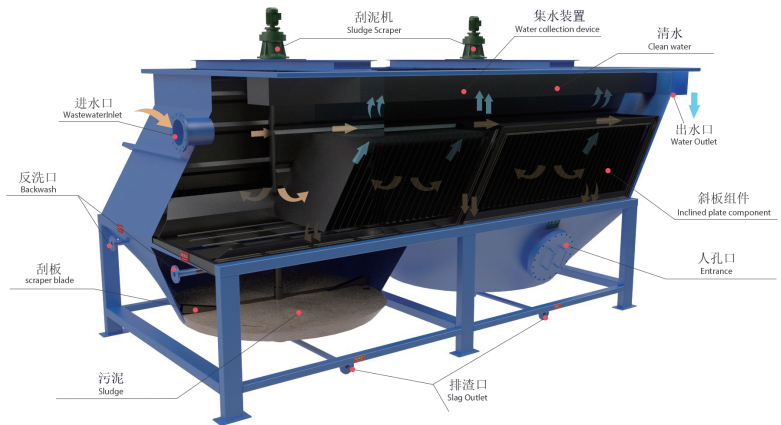
Exquisite craftsmanship



Focus on separating

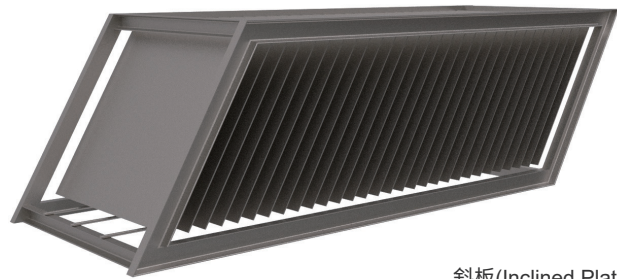
构造以及工作过程

絮凝好的污水进入兰美拉斜板沉淀池后,经过布水机构,污水被完全均匀分布至沉淀池的中底部,污水的流速迅速下降,由平流状态转为缓慢上升状态。缓慢上升的污水“触碰”到斜板后污水中的悬浮物被斜板“截停”,不断上升的污水使得斜板截停的污泥越来越多,比重变大后下沉至泥斗中,由刮泥机将泥斗中的污泥刮至排泥口排出。缓慢上升的上清液由穿孔式集水槽收集后排至下一道工序。

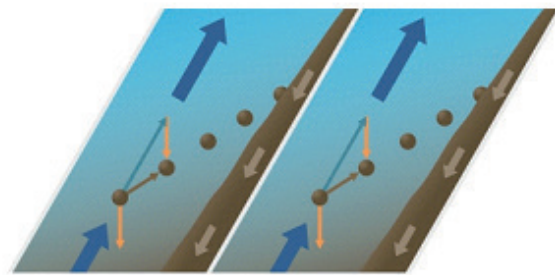






Working Process

The flocculated water flowing into the lamella clarifier, is totally distributed to the bottom of the tank through the distribution unit and the flow rate drops rapidly and changes from advection to slow rise. After the slowly rising sewage "touches" the inclined plate, the suspended solids in the sewage are "cut off" by the inclined plate. The rising sewage makes the sludge cut off by the inclined plate more and more, and the proportion becomes larger, and then it sinks into the sludge pit, and the sludge in the sludge pit is scraped by the scraper to the sludge outlet for discharge.



斜板(Inclined Plate)



-  未处理水、清水流向
flow direction of untreated water/clear water.
-  固体颗粒的流向
flow path of a solid particle.
-  固体颗粒的流向
vectors of flow velocity and sink speed.
-  污泥流向
flow direction of sludge.



源申环保
YOSUN ENVIRONMENTAL

Professional supplier of solid liquid separator for waste water treatment

斜板沉淀池 Lamella Clarifier



Professional design



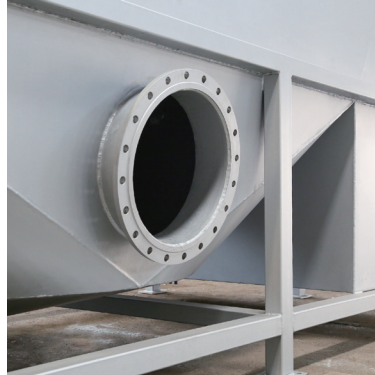
Exquisite craftsmanship



Focus on separating

产品优势

- ① 表面负荷是传统沉淀池的2-4倍。
- ② 独特的布水结构大, 易于沉淀。
- ③ 斜板对沉淀物起到再絮凝作用。
- ④ 斜板材质、间距可定制, 适应更多种工况。
- ⑤ 稳定的斜板结构, 不坍塌, 维修简便。
- ⑥ 可实现在线反冲洗, 定期清理斜板积泥。
- ⑦ 配套刮泥机, 解决底部排泥不畅的问题。



Product Advantages

- ① The surface load is 2-4 times that of the traditional clarifier.
- ② Unique water distribution structure.
Re-flocculation of sediment of lamella plate.
- ③ Customized inclined plate material and spacing to adapt to more working conditions.
- ④ Stable inclined plate structure, no collapse, simple maintenance.
- ⑤ Realizing online backwashing and regularly cleaning the sludge on the inclined plates.
- ⑥ Equipped with mud scraper to solve the problem of poor sludge discharge at the bottom.





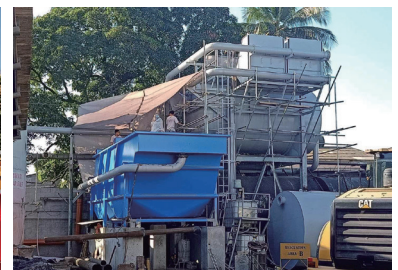
应用场景

- ① 沉砂池: 在沉砂池应用沉淀池可以去除水中的无机杂质。
- ② 初沉池: 在初沉池应用沉淀池可以去除水中的悬浮物及其他密度大于一的固体物。
- ③ 二沉池: 在二沉池应用沉淀池可以去除生物处理出水中的活性污泥。
- ④ 浓缩池: 在浓缩池应用沉淀池可以分离污泥中的水分, 使污泥得到浓缩。
- ⑤ 深度处理: 在深度处理领域对二沉池出水、加絮凝剂混凝后应用沉淀池可以去除水中的悬浮物。



Application Fields

- ① Grit Chamber: Lamella replacing it can remove inorganic impurities in water.
- ② Primary settling tank: Lamella replacing it can remove ss or others that density is greater than 1.
- ③ Secondary settling tank: Lamella replacing it can remove the active sludge in biological treatment.
- ④ Concentration tank: Lamella replacing it can separate the water from sludge to thicken the sludge.
- ⑤ Advanced treatment: Lamella used in advanced treatment can remove the suspended solids in water.



沉淀池技术参数表:(XBC) >

Lamella Clarifier Model Selection Table:(XBC)

型号 Model	水量 Capacity (m ³ /h)	管口连接 Piping Connections				尺寸 Dimensions (mm)		
		进水口 Inlet	出水口 Effluent	污泥口 Sludge	反洗口 Backwash	L	W	H
XBC-005	5	DN80	DN80	DN80	DN50	2550	1600	2900
XBC-010	10	DN100	DN100	DN80	DN50	3350	1800	3000
XBC-015	15	DN100	DN100	DN80	DN50	3350	2000	3000
XBC-020	20	DN100	DN100	DN80	DN50	3500	2000	3000
XBC-030	30	DN150	DN150	DN80	DN50	4600	2000	3000
XBC-040	40	DN150	DN150	DN100	DN50	4000	2800	3000
XBC-050	50	DN200	DN200	DN100	DN50	4650	2800	3000
XBC-060	60	DN200	DN200	DN100	DN50	5000	2800	3000
XBC-070	70	DN250	DN200	DN100	DN50	6000	2800	3000
XBC-080	80	DN250	DN200	DN100	DN50	6800	2800	3000
XBC-100	100	DN250	DN250	DN100	DN50	7050	3000	3000

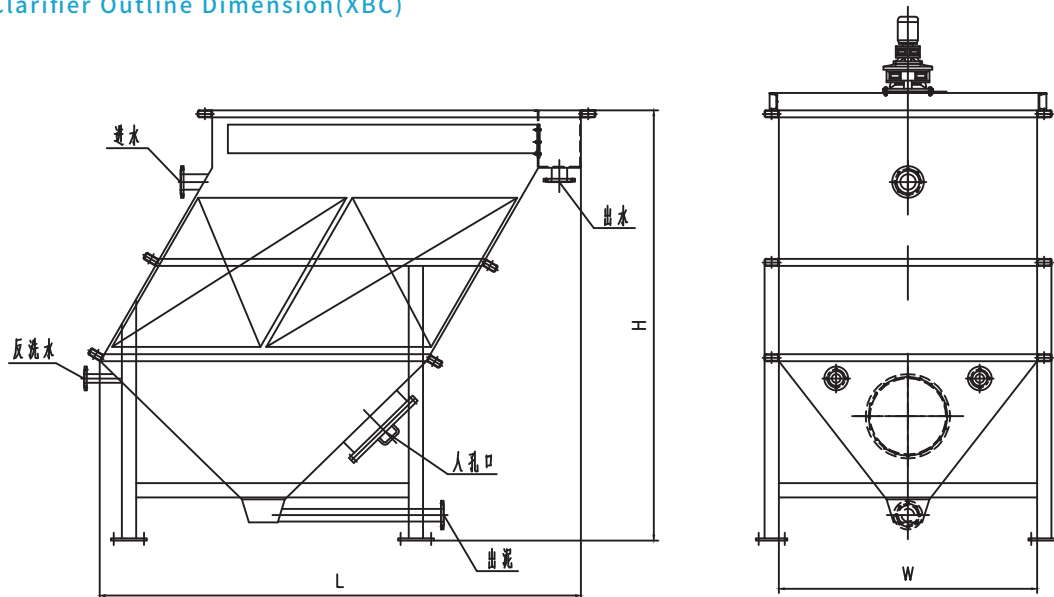
参数表说明 > Selection Table Note

样本参数及图片仅供参考，源申公司保留持续改进的权利，所有参数以双方确认为准。如有任何技术问题，请与我们联系。

The Parameters and Pictures are only for reference. Yosun reserves all rights. All parameters are subject to the confirmation of both parties. More technical questions, please feel free to contact us.

沉淀池外形图 (XBC) >

Lamella Clarifier Outline Dimension(XBC)



不带集泥刮泥机的高效斜板沉淀池外形图

XBC Lamella Clarifier Outline
Dimension(Without sludge scraper)

沉淀池技术参数表:(XBG) >

Lamella Clarifier Model Selection Table:(XBG)

型号 Model	水量 Capacity (m ³ /h)	管口连接 Piping Connections				尺寸 Dimensions (mm)			功率 Power(kw) 刮泥机 Sludge Scraper
		进水口 Inlet	出水口 Effluent	污泥口 Sludge	反洗口 Backwash	L	W	H	
XBG-005	5	DN80	DN80	DN80	DN50	2550	1600	2900	0.37
XBG-010	10	DN100	DN100	DN80	DN50	3350	1800	3000	0.37
XBG-015	15	DN100	DN100	DN80	DN50	3350	2000	3000	0.37
XBG-020	20	DN100	DN100	DN80	DN50	3500	2000	3000	0.37
XBG-030	30	DN150	DN150	DN80	DN50	4600	2000	3000	0.37
XBG-040	40	DN150	DN150	DN100	DN50	4000	2800	3000	0.37
XBG-050	50	DN200	DN200	DN100	DN50	4650	2800	3000	0.37
XBG-060	60	DN200	DN200	DN100	DN50	5000	2800	3000	0.37
XBG-070	70	DN250	DN200	DN100	DN50	6000	2800	3000	0.37
XBG-080	80	DN250	DN200	DN100	DN50	6800	2800	3000	0.37
XBG-100	100	DN250	DN250	DN100	DN50	7050	3000	3000	0.37

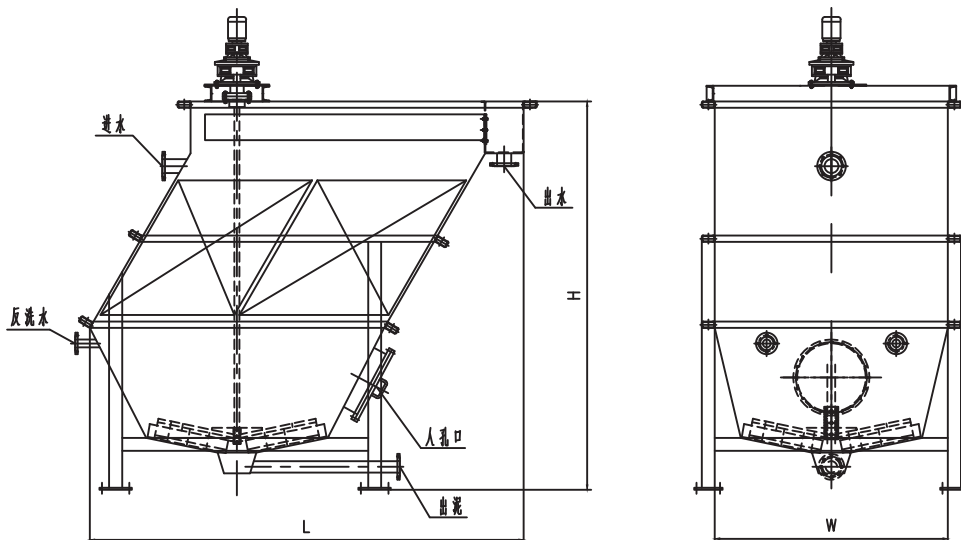
参数表说明 > Selection Table Note

样本参数及图片仅供参考，源申公司保留持续改进的权利，所有参数以双方确认为准。如有任何技术问题，请与我们联系。

The Parameters and Pictures are only for reference. Yosun reserves all rights. All parameters are subject to the confirmation of both parties. More technical questions, please feel free to contact us.

沉淀池外形图 (XBG) >

Lamella Clarifier Outline Dimension(XBG)



带集泥刮泥机的高效斜板沉淀池外形图

XBG Lamella Clarifier Outline
Dimension(With sludge scraper)

 专注分离 服务环境

无锡源申环保设备有限公司

Wuxi Yosun Environmental Protection Equipment Co.,Ltd.

电话TEL:+86-0510-85264060

传真FAX:+86-0510-83157565

邮箱Email:service@wxyosun.com

网址Web:www.wxyosun.com|www.wxyshb.com